

DATASHEET

TBK-PTZ6425IR

MAIN FEATURES

- HD 4 in 1.
- Zoom x25, Pan (0° to 360°), Tilt (-15° to 90°).
- 1080P resolution (1920 x 1080 at 25FPS).
- Sensitivity: 0,005 Lux color, 0,001 Lux B&W (F1.6, AGC ON).
- Wide Dynamic Range 120 dB.
- 100 m IR range.
- BLC, HLC.
- IP66.

PTZ Dome, with zoom x25, at 1080P resolution. 100 m range IR illumination. Double-scan Wide Dynamic Range (120 dB), especially useful in locations with strong backlighting.





TBK-PTZ6425IR

SPECIFICATIONS

CAMERA	
Image Sensor	1/2.8" progressive scan CMOS
Max. Image Resolution	1920 × 1080
Frame Rate	50Hz: 25fps @(1920 × 1080) 60Hz: 30fps @(1920 × 1080)
Min. Illumination	Color: 0.005 Lux @(F1.6, AGC ON) B/W: 0.001 Lux @(F1.6, AGC ON) 0 lux with IR
White Balance	AUTO/MANUAL/HAUTO/ATW/INDOOR/OUTDOOR
AGC	AUTO/MANUAL
DNR	3D DNR
WDR	≥ 120 dB
Shutter Time	PAL: 1/1 s to 1/10,000 s NTSC: 1/1 s to 1/10,000 s
Day & Night	IR cut filter
Digital Zoom	16×
Privacy Mask	8 programmable privacy masks
BLC (Backlight Compensation)	Yes
HLC (highlight Compensation)	Yes
EIS (Electric Image Stabilization)	Yes
Regional Focus	Yes
LENS	
Focus Mode	Auto/Semiauto/Manual
Focal Length	4.8 mm to 120 mm, 25× Optical
Aperture Range	F 1.6 to F 3.5
Horizontal Field of View	57.6° to 2.5° (wide-tele)
Min. Working Distance	10 mm to 1500 mm (wide to tele)
Zoom Speed	Approx. 3.2 s (optical, wide to tele)

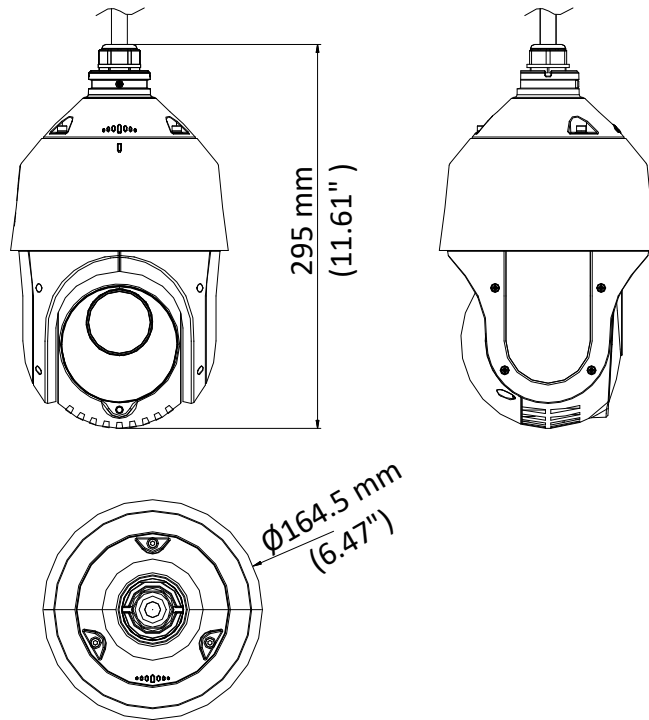

TBK-PTZ6425IR
SPECIFICATIONS

PAN AND TILT	
Pan Range	360° endless
Pan Speed	Pan manual speed: 0.1° to 80°/s Pan preset speed: 80°/s
Tilt Range	-15° to 90° (auto flip)
Tilt Speed	Tilt manual speed: 0.1° to 80°/s Tilt preset speed: 80°/s
Proportional Zoom	Rotation speed can be adjusted automatically according to zoom multiples
Presets	256
Patrol	10 patrols, up to 32 presets per patrol
Pattern	5 patterns, with the total recording time no less than 10 minutes
Power-off Memory	Yes
Park Action	Preset/Patrol/Pattern/Pan Scan/Tilt Scan/Panorama Scan/Day Mode/Night Mode/None
PTZ Position Display	ON/OFF
Scheduled Task	Preset/Patrol/Pattern/Pan Scan/Tilt Scan/Panorama Scan/Day Mode/Night Mode/Zero Calibration/None
INFRARED	
IR Distance	Up to 100 m
IR Intensity	Automatically adjusted depending on the zoom ratio
INPUT / OUTPUT	
Video Output	Switchable TVI/AHD/CVI/CVBS video output, (NTSC or PAL composite, BNC)
RS-485 Interface	Half-duplex mode Self-adaptive Pelco-P, Pelco-D protocol
UTC function	UTC protocol
GENERAL	
Menu Language	English
Power	12 VDC Max.20 W (IR:7 W)
Working Temperature	-30° C to 65° C (-22° F to 149° F)
Working Humidity	90% or less
Protection Level	IP66 standard (outdoor dome) TVS 4,000 V lightning protection, surge protection and voltage transient protection
Mounting	Various mounting modes optional



TBK-PTZ6425IR

DIMENSIONS



ACCESSORIES



TBK-541P
Wall mounting bracket



TBK-542M
Vertical pole
mounting bracket



TBK-543T
Pendant mounting
bracket



TBK-544E
Corner mounting
bracket