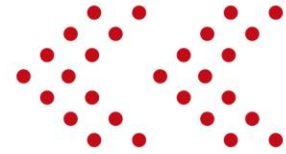


DATASHEET

TBK-MD9722Z



MAIN FEATURES

- 2MP resolution (1920 × 1080 @25fps).
- 2.8-12 mm motorized autofocus lens.
- Sensitivity: 0,01 Lux color (F1.2, AGC ON).
- 30 m IR range
- H.265+ encoding.
- ROI encoding.
- IP67, IK10

Vandalproof varifocal IP minidome, with 2 Megapixels resolution real time. Autofocus motorized lens for a quick and precise adjustment. Good quality image and efficient video encoding, at a competitive price.

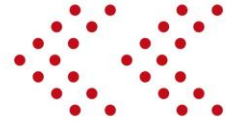


NOVUM

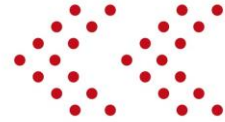
This camera belongs to **novum** product range. This product range includes as well DVRs, NVRs, and other IP camera models, with a common software platform, and constitutes an important technological renovation. The platform allows access to the devices in a simple way, and supports the P2P service, which eliminates the need to open ports, greatly simplifying the installation.

TBK Novum Management Software allows to centrally manage the devices from several installations (both recorders and cameras), with support of multiple monitors, maps, and event management. The TBK SuperVision smartphone application (TBK SuperV) also provides the flexibility and mobility necessary to monitor CCTV installations from a mobile phone or tablet, with notifications in case of alarm, thanks to push technology.




TBK-MD9722Z
SPECIFICATIONS

CAMERA	
Image Sensor	1/2.8" progressive scan CMOS
Min. Illumination	Color: 0.01 Lux @(F1.2, AGC ON), 0.018Lux @ (F1.6, AGC ON)
Shutter Speed	1/3 s to 1/100, 000 s, support slow shutter
Slow Shutter	Yes
Auto-Iris	No
Day & Night	IR cut filter
Digital Noise Reduction	3D DNR
WDR	Digital WDR
Angle Adjustment	Pan: 0° to 355°, tilt: 0° to 70°, rotation: 0° to 360°
LENS	
Focal Length	2.8 mm to 12 mm
Aperture	F1.6
Focus	Auto
FOV	Horizontal FOV 98° to 34°, vertical FOV 52° to 19°, diagonal FOV 116° to 40°
Lens Mount	Ø14
IR	
IR Range	Up to 30 m
Wavelength	850 nm
COMPRESSION STANDARD	
Video Compression	Main stream: H.265/H.264 Sub stream: H.265/H.264/MJPEG
H.264 Type	Baseline Profile/Main Profile/High Profile
H.264+	Main stream supports
H.265 Type	Main Profile
H.265+	Main stream supports
Video Bit Rate	32 Kbps to 8 Mbps
SMART FEATURE SET	
Region of Interest	1 fixed region for main stream and sub-stream
IMAGE	
Max. Resolution	1920 × 1080
Main Stream Max. Frame Rate	50Hz: 25fps (1920 × 1080, 1280 × 960, 1280 × 720) 60Hz: 30fps (1920 × 1080, 1280 × 960, 1280 × 720)
Sub-stream Max. Frame Rate	50Hz: 25fps (640 × 480, 640 × 360, 320 × 240) 60Hz: 30fps (640 × 480, 640 × 360, 320 × 240)
Image Enhancement	BLC, 3D DNR
Image Settings	Saturation, brightness, contrast, sharpness, AGC, white balance adjustable by client software or web browser
Day/Night Switch	Auto, scheduled, day, night

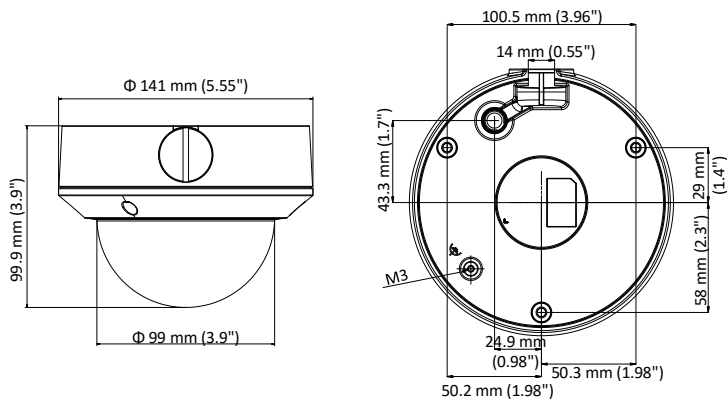

TBK-MD9722Z
SPECIFICATIONS

NETWORK	
Network Storage	Support Micro SD/SDHC/SDXC card (128G), local storage and NAS (NFS,SMB/CIFS), ANR
Alarm Trigger	Motion detection, video tampering alarm, network disconnected, IP address conflicted, illegal login
Protocols	TCP/IP, ICMP, HTTP, HTTPS, FTP, DHCP, DNS, DDNS, RTP, RTSP, RTCP, NTP, UPnP, SMTP, IGMP, 802.1X, QoS, IPv6, UDP, Bonjour
General Function	One-key reset, anti-flicker, heartbeat, mirror, password protection, privacy mask, watermark
Firmware Version	5.5.2
API	ONVIF (PROFILE S, PROFILE G), ISAPI
Simultaneous Live View	Up to 6 channels
User/Host	Up to 32 users 3 levels: Administrator, Operator and User
Client	TBK SuperVision App (TBK SuperV), TBK Novum Management Software
Web Browser	IIE7+, Chrome18-42, Firefox5.0+, Safari5.02+
INTERFACE	
Communication Interface	1 RJ45 10M/100M self-adaptive Ethernet port
On-board Storage	Built-in microSD/SDHC/SDXC slot, up to 128 GB
GENERAL	
Operating Conditions	-30 °C to 50 °C (-22 °F to 122 °F), humidity: 95% or less (non-condensing)
Power Supply	12 VDC ± 25%, 5.5 mm coaxial power plug PoE (802.3af, class 3)
Power Consumption and Current	12 VDC, 0.8 A, Max: 10 W; PoE: (802.3af, 36 V to 57 V), 0.35 A to 0.2 A, Max: 12 W
Ingress Protection	IP67, IK10 TVS 2000V lightning protection, surge protection and voltage transient protection
Material	Metal & Plastic
Dimensions	Camera: Φ 141 mm × 99.9 mm (5.6" × 3.9") With package: 140 mm × 140 mm × 154 mm (5.5" × 5.5" × 6.1")
Weight	Camera: Approx. 830 g (1.8 lb.) With package: Approx. 1070 g (2.4 lb.)



TBK-MD9722Z

DIMENSIONS



ACCESSORIES



TBK-376P
Wall Bracket