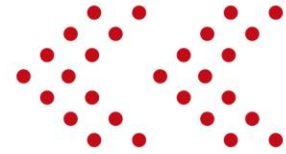


DATASHEET

TBK-MD9681



MAIN FEATURES

- 4K resolution (8MP, 3840 × 2160 @12.5fps).
- 2.8 mm fix lens.
- Sensitivity: 0,01 Lux color (F1.2, AGC ON).
- Wide Dynamic Range 120 dB.
- 30 m IR range
- H.265+ encoding.
- ROI encoding.
- Smart functions (line crossing, intrusion, face detection).
- IP67, IK10

Vandalproof fix lens IP minidome, with 4 K resolution (8MP, 12.5FPS). Double-scan Wide Dynamic Range (120 dB), especially useful in locations with strong backlighting or where it is required to see both what is happening inside and outside (entrance areas).

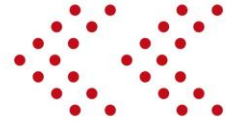


NOVUM

This camera belongs to **novum** product range. This product range includes as well DVRs, NVRs, and other IP camera models, with a common software platform, and constitutes an important technological renovation. The platform allows access to the devices in a simple way, and supports the P2P service, which eliminates the need to open ports, greatly simplifying the installation.

TBK Novum Management Software allows to centrally manage the devices from several installations (both recorders and cameras), with support of multiple monitors, maps, and event management. The TBK SuperVision smartphone application (TBK SuperV) also provides the flexibility and mobility necessary to monitor CCTV installations from a mobile phone or tablet, with notifications in case of alarm, thanks to push technology.

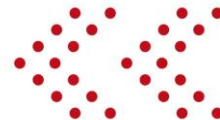



TBK-MD9681
SPECIFICATIONS

CAMERA	
Image Sensor	1/2.5" Progressive Scan CMOS
Min. Illumination	Color: 0.01 Lux @ (F1.2, AGC ON), 0.018 Lux @ (F1.6, AGC ON), 0 Lux with IR
Shutter Speed	1/3 s to 1/100,000 s
Slow Shutter	Yes
Auto-Iris	No
Day & Night	IR Cut Filter
Digital Noise Reduction	3D DNR
WDR	120dB
3-Axis Adjustment	Pan: 0° to 355°, tilt: 0° to 75°, rotate: 0° to 355°
LENS	
Focal length	2.8 mm
Aperture	F2.0
Focus	Fixed
FOV	Horizontal FOV: 102°, vertical FOV: 53°, diagonal FOV: 124°
Lens Mount	M12
IR	
IR Range	Up to 30 m
Wavelength	850nm
COMPRESSION STANDARD	
Video Compression	Main stream: H.265/H.264 Sub-stream: H.265/H.264/MJPEG Third stream: H.265/H.264
H.264 Type	Main Profile/High Profile
H.264+	Main stream supports
H.265 Type	Main Profile
H.265+	Main stream supports
Video Bit Rate	32 Kbps to 16 Mbps
SMART FEATURE SET	
Behavior Analysis	Line crossing detection, intrusion detection
Face Detection	Yes
Region of Interest	1 fixed region for main stream and sub-stream



IMAGE	
Max. Resolution	3840 × 2160
Main Stream	50Hz: 12.5 fps (3840 × 2160), 20fps (3072 × 1728), 25 fps (2560 × 1440, 1920 × 1080, 1280 × 720) 60Hz: 15 fps (3840 × 2160), 20fps (3072 × 1728), 30 fps (2560 × 1440, 1920 × 1080, 1280 × 720)
Sub-Stream	50Hz: 25fps (640 × 480, 640 × 360, 320 × 240) 60Hz: 30fps (640 × 480, 640 × 360, 320 × 240)
Third Stream	50Hz: 25fps (1280 × 720, 640 × 360, 352 × 288) 60Hz: 30fps (1280 × 720, 640 × 360, 352 × 240)
Image Enhancement	BLC/3D DNR /HLC
Image Setting	Saturation, brightness, contrast, sharpness and white balance adjustable by client software or web browser
Target Cropping	No
Day/Night Switch	Day/Night/Auto/Schedule
*Note: When the main stream resolution is 3840 × 2160, max frame rate is 12.5 fps (50Hz)/15 fps (60Hz) for all streams. When the main stream resolution is 3072 × 1728, max frame rate is 20 fps for all streams.	
NETWORK	
Network Storage	Support Micro SD/SDHC/SDXC card (128G), local storage and NAS (NFS,SMB/CIFS), ANR
Alarm Trigger	Motion detection, video tampering, network disconnected, IP address conflict, illegal login, HDD full, HDD error
Protocols	TCP/IP, ICMP, HTTP, HTTPS, FTP, DHCP, DNS, DDNS, RTP, RTSP, RTCP, PPPoE, NTP, UPnP™, SMTP, SNMP, IGMP, 802.1X, QoS, IPv6, Bonjour
General Function	One-key reset, anti-flicker, three streams, heartbeat, mirror, password protection, privacy mask, watermark, IP address filter
Firmware Version	V5.5.80
API	ONVIF (PROFILE S, PROFILE G), ISAPI
Simultaneous Live View	Up to 6 channels
User/Host	Up to 32 users 3 levels: Administrator, Operator and User
Client	TBK SuperVision App (TBK SuperV), TBK Novum Management Software
Web Browser	Plug-in required live view: IE8+, Chrome 41.0-44, Firefox 30.0-51, Safari 8.0-11 Plug-in free live view: Chrome 45.0+, Firefox 52.0+
INTERFACE	
Communication Interface	1 RJ45 10M/100M self-adaptive Ethernet port
Video Output	No
On-board storage	Built-in Micro SD/SDHC/SDXC slot, up to 128 GB
SVC	H.264 and H.265 encoding
Reset Button	Yes

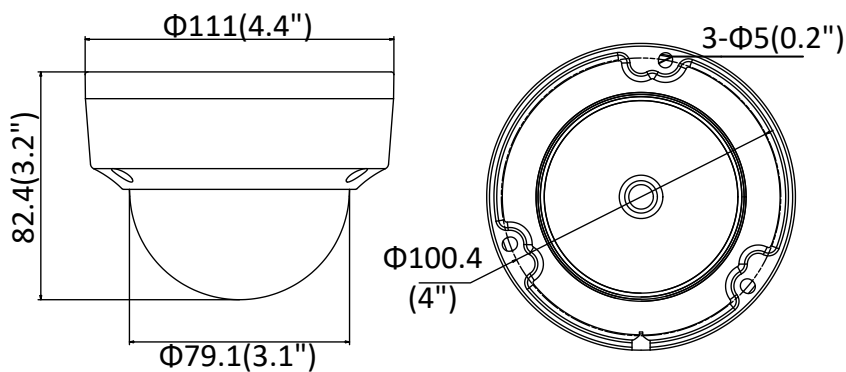


TBK-MD9681

SPECIFICATIONS

GENERAL	
Operating Conditions	-30 °C to +60 °C (-22 °F to +140 °F), Humidity 95% or less (non-condensing)
Power Supply	12 VDC ± 25%, Φ 5.5 mm coaxial power plug PoE(802.3af, class 3)
Power Consumption and Current	DC: 12 V, 0.6 A, max. 7.5 W PoE: (802.3af, 36 V to 57 V), 0.3 A to 0.2 A, max. 9 W
Protection Level	IP67, IK10
Material	Camera body: metal, bubble: plastic
Dimensions	Camera: Φ 111 mm × 82.4 mm (Φ 4.4" × 3.2") Package: 134 × 134 × 108 mm (5.3" × 5.3" × 4.3")
Weight	Camera: approx. 500 g (1.1 lb.)

DIMENSIONS



Unit: mm

ACCESSORIES



TBK-365C
Junction box



TBK-374P
Wall Bracket