

*8 Gigabit ports industrial POE switch, with 4 fiber optics uplink ports, and supporting ring setup. Designed for extreme temperatures, and with redundant supply.*

## **DATA SHEET**

### **TBK-SWPOE8SFP4**



## **MAIN FEATURES**

- 8 ports 10/100/1000Mbps for HD video with POE power, and 4 optical uplink ports
- Supports fast ring setup, with up to 30 switches in a cascade system, and 20ms self-healing time.
  - Up to 60W POE power in 1 port and 30W in the other 7 ports.
- Supports configuration through web client, supports VLAN, QoS, RSTP, SNMP etc.
- Supports relay alarm for power off, ports network link-off, port POE off.

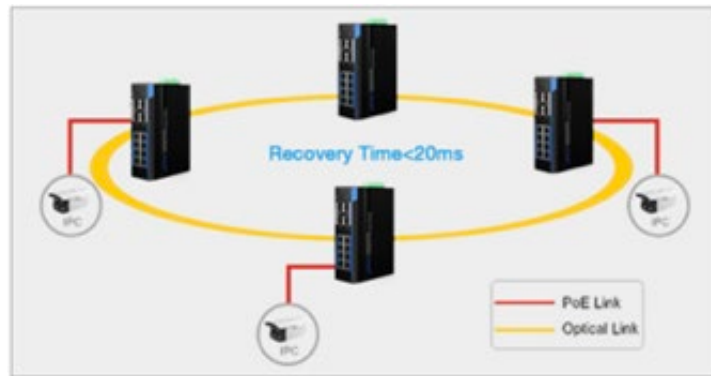
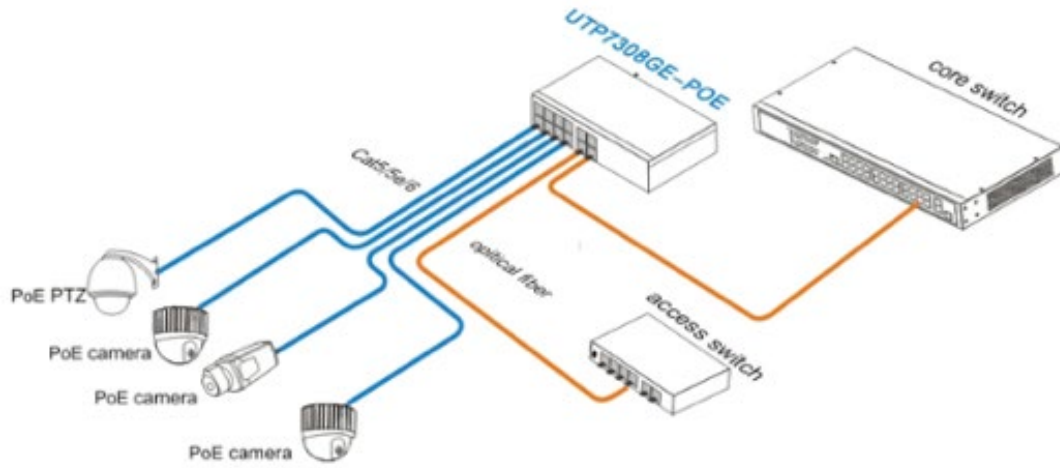
SPECIFICATIONS	PARAMETERS	DESCRIPTION
Power	Power Supply	DC48V (power supply included). Redundant power input.
	Voltage Range	DC 48V-57V
	Consumption	<15W (without considering POE power consumption)
Network Connector	Network Ports	1 ~ 8: 10/100/1000Mbps PoE port. UPLINK Ports: 4 x 1000Mbps Optical SFP Module interface (modules not included)
	Transmission Medium	Cat5/5e/6 Standard Network Cable
	PoE Protocol	IEEE802.3at/af
	PsE Type	End span
	PoE Power Output	44-57VDC, Port 1: HPOE 60W. Ports 2-8: POE 30W.
Network Switch	Network Standard	IEEE 802.3, IEEE802.3u, IEEE 802.3ab, IEEE802.3z, IEEE802.3x, IEEE 802.3af, IEEE 802.3at, IEEE 802.1Q, IEEE 802.1D, IEEE 802.1p, IEEE 802.1x IEC61000-4-5 IEC61000-4-2 IEC61000-4-4
	Bandwith capacity	24Gbps
	Packet Transfer Rate	18Mpps
	Switch Processing Scheme	Store and forward
	Package Data Cache	4M
	MAC address list	8K
Protection	Lightning Protection	6KV (IEC61000-4-5)
	ESD	ESD Level 4 (IEC61000-4-2) EFT Level 4 (IEC61000-4-4)
Environmental	Working temperature	-40°C-75°C
	Storage temperature	-40°C-85°C
	Humidity (non-condensing)	5-95%
Mechanical	Dimension (L×W×H)	159mm×110mm×46.5mm
	Material	Aluminum
	Color	Black
	Weight	750g

**SOFTWARE PARAMETERS**

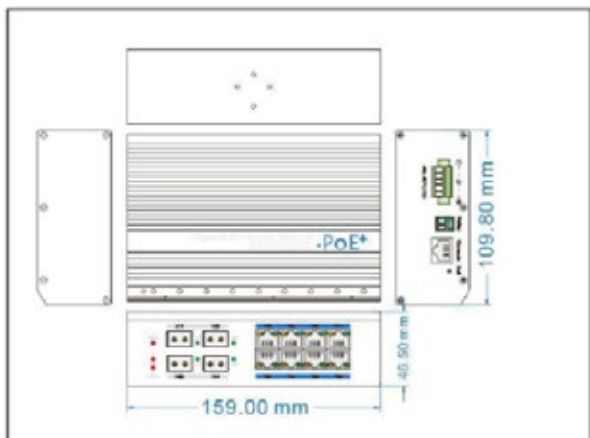
Port Management	Support Port Enable/Disable;
	Support Port Rate Settings;
	Support Port Full-duplex Mode;
	Support IEEE802.3x Flow Control;
	Support Port Name Change;
VLAN	Support 4K VLAN
	Support 802.1Q Protocol-Based VLAN;
	Support Port-Based VLAN;
QoS (Quality of Service)	Support QoS;
	Support 8-Level Priority management for switching;
	Support WRR;
	Support 820.1P and DSCP Priority;
Multicast Management	Support SNMP V1/V2/V3 Protocol;
	Support IGMP Snooping;
POE Management	Support Total Power Consumption Control;
	Support PoE ON/OFF;
	Support Single Port 60W max. Power Change and Port Output Priority;
Alarm signal output by relay	Support relay alarm for power off, ports network link-off , ports PoE off
Security Features	Support IP, MAC, Port, VLAN Combination and Binding;
	Support MAC address auto-learning, aging& filter;
	Support Port Isolation, Port Speed-Limited;
	Support RSTP;
	Support Fast-Ring;
	Support 5 groups of 8-Port trunk;
	Support RADIUS Authentication& 802.1X Authentication;

System Management & Maintenance	Support WEB Management, CLR Settings and telnet Settings;
	Support Web Upgrading;
	Support Flow Calculate;
	Support MAC address Form Search;
	Support IP Address, DNS Server Change
	Support Username & Password Change;
	Support History Record, Journal management;
	Support System settings Backup;

APPLICATION:



PHYSICAL FEATURES:



INTERFACE DRAWING:

