

# 16 Ports PoE Managed Ethernet Switch

802.3af/at, 6KV Lightning Protection, Web Managed

## TBK-SWPOE16



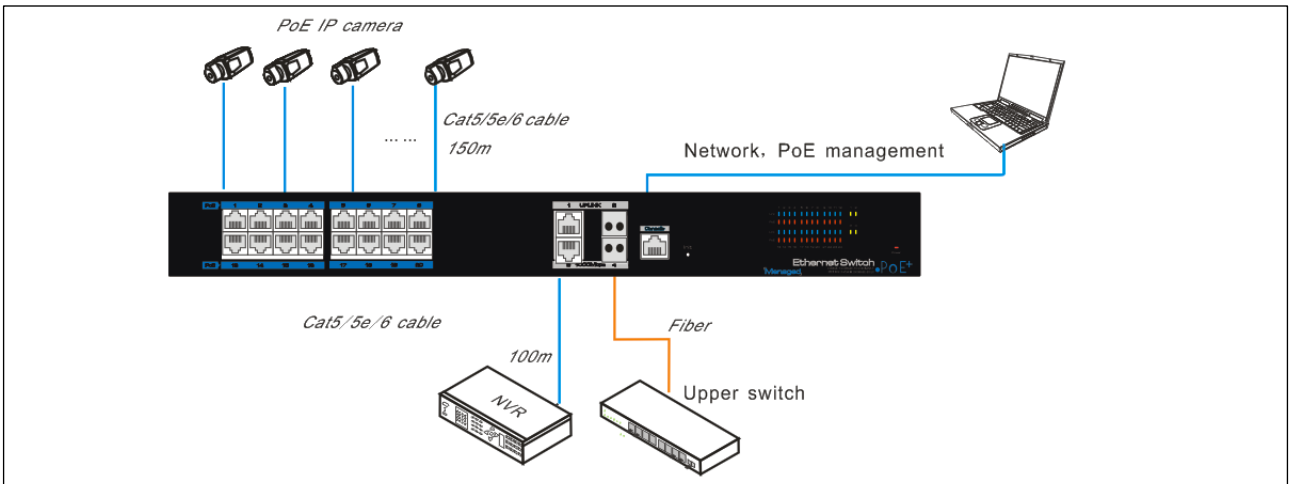
- Provides 16\*10/100Mbps downlink PoE Ethernet ports and 2\*10/100/1000Mbps uplink Ethernet ports ; 2\* 1000Mbps uplink SFP ports;
- Provide web-based layer 2 network management and PoE management by simple operation;
- Support high-speed data forwarding, perfectly designing for large flow of video data forwarding in security surveillance;
- Support one-key recovery of IP address & user password;
- Excellent isolated circuit protection, lightning protection up to 6KV;
- Quickly fixing, easily operation and convenient for wall/ desk/ rack installation.



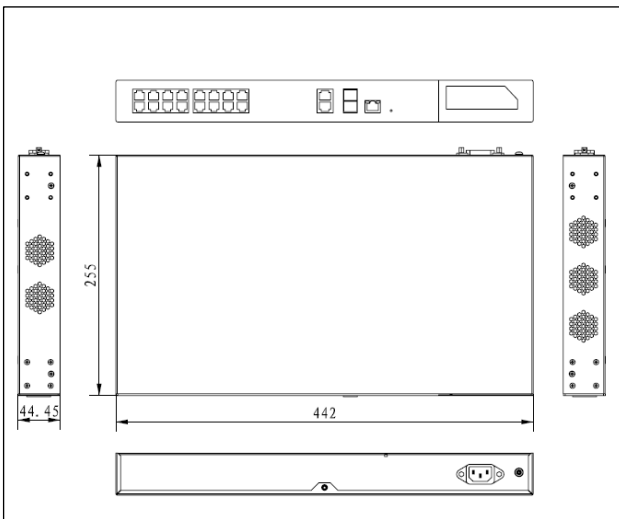
### Introduction

The 16-port managed PoE Ethernet switch, provides 16\*100Mbps downlink PoE Ethernet ports with IEEE802.3af/at supporting and 2\*1000Mbps uplink optical ports and 2\*1000Mbps uplink Ethernet ports. The switch support Layer 2 network management and PoE management based on web and provides high-speed data forwarding. It is widely used in security surveillance, network engineering projects and so on.

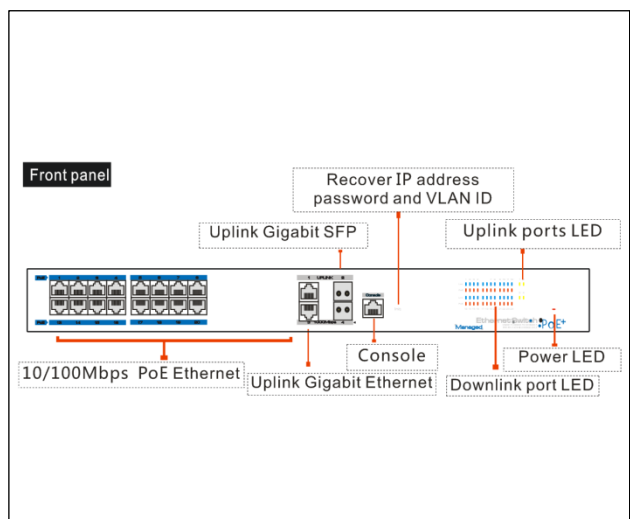
### Application



### Physical Features



### Interface drawing



## Specification

### Hardware Features :

|                          | TBK-SWPOE16   |
|--------------------------|---|
| Downstream Ports         | 16* 10/100Base-TX (PoE)   |
| Uplink Ports             | 2*1000Mbps SFP Port and 2*10/100/1000Base-T   |
| Network Standard         | IEEE802.3 、IEEE802.3u、IEEE802.3ab、IEEE802.3z、IEEE802.3X、 IEEE 802.1Q<br>IEEE 802.1p IEEE 802.3ad 、 IEEE 802.1D、 IEEE 802.1X |
| Switch Capacity          | 11.2Gbps  |
| Throughput               | 8.33Mpps  |
| Switch Processing Scheme | Store and Forward   |
| MAC Table                | 16K   |
| PoE Standard             | 802.3af/at(PSE)   |
| PoE Type                 | End-span  |
| Power Pin Assignment     | 1/2(+), 3/6(-)  |
| PoE Power Output         | 54V DC , 30 watts max   |
| PoE Budget               | 270 watts max   |
| Lightning protection     | 6KV Execute: IEC61000-4-5   |
| ESD                      | 6KV Contact discharge<br>8KV Air discharge<br>Execute: IEC61000-4-2   |
| Power Supply             | 100~240V AC; 50/60Hz  |
| Power Dissipation        | <320W(Including PoE)  |
| Work temperature         | -10°C~50°C  |
| Storage temperature      | -40°C~85°C  |
| Humidity(Non-condensin)  | 5%-95%  |
| Dimension (L×W×H)        | 442mm×255mm×44.5mm  |
| Weight                   | 3.73kg  |
| Regulator                | CE、FCC、ROHS   |

### Software Features :

|                 |                                     |
|-----------------|-------------------------------------|
| Port Management | Support port enabling and disabling |
|                 | Support port speed settings         |
|                 | Support port full-duplex mode       |
|                 | Support IEEE802.3x flow control     |
|                 | Support port name modification      |
| VLAN            | Support of 4K VLAN                  |
|                 | supports 802.1Q VLAN protocol       |
|                 | Support VLAN based on port          |

|                      |   |
|----------------------|---|
| Quality of Service   | Support QoS Congestion Management                         |
|                      | Support 8 priority queues                                 |
|                      | Queue scheduling: SP, WRR, SP+WRR                         |
|                      | Support 802.1p CoS/DSCP priority                          |
| Multicast Management | Support SNMPV1 / V2 / V3 protocols                        |
|                      | Support IGMP Snooping                                     |
| POE management       | Support Total Power Control                               |
|                      | Support PoE On Off  |
|                      | Support single-port 30W output, Output port and priority  |
| Security Features    | Supports IP, MAC, port, VLAN binding combinations         |
|                      | Support MAC address auto-learning, aging and filtration   |
|                      | Support port isolation, port speed limit                  |
|                      | Support RSTP  |
|                      | Support 5 groups of link aggregation                      |
|                      | Support 802.1X  |
| System Management    | Web-based GUI and CLI management                          |
|                      | Support FTP / TFTP / HTTP load upgrade                    |
|                      | Support traffic statistics                                |
|                      | Support MAC address table query                           |
|                      | Support IP address, DNS server modifications              |
|                      | Support user name and password modification               |
|                      | Support for history, log management                       |
|                      | Support System Configuration Backup                       |
|                      | Support to recover the default factory settings on reboot |

## Package List

| Designation       | Quantity |
|-------------------|----------|
| UTP7216E-POE-L2   | 1        |
| AC Power Line     | 1        |
| Mounting brackets | 1        |
| User Manual       | 1        |