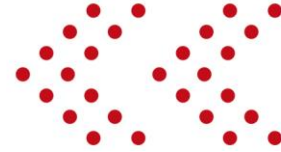


## DATASHEET

### TBK-SWPOE8SFP4/L



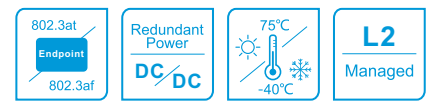
### Overview

TBK-SWPOE8SFP4/L is Industrial 8-Port Gigabit PoE+ 4-Port SFP L2 Managed Ethernet Switch.

This switch provides 8 Gigabit Ethernet RJ-45 ports and 4 Gigabit SFP uplink ports. It meets IEEE 802.3af/at standard. All RJ-45 ports support Power-over-Ethernet (PoE+) and deliver up to 30W power per port.

The switch has extensive L2 management functions, such as 802.1Q VLAN, 802.1P QoS, STP/RSTP, Link aggregation, DHCP and PoE control. It can be easily managed via a WEB GUI (http/https), CLI (telnet/ssh/console) or SNMP.

### Features and Highlights



#### Abundant Interfaces

- 8\*10/100/1000 Base-T PoE RJ-45 ports
- 4\*1000 Base-X SFP ports
- 1\*RJ-45 console port

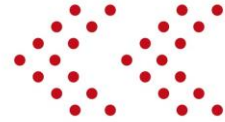
#### Industrial Design

- Working temperature: -40°C~75°C
- Redundant power supply
- 8kV contact discharge, 12kV air discharge ESD protection
- Fan-less metal shell design
- DIN-rail installation

#### Layer 2 Management Function

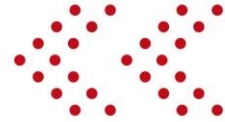
- 802.1Q VLAN
- 802.1P QoS
- SNMP
- STP/RSTP
- ERPS
- DHCP snooping





## Specifications

Items	TBK-SWPOE8SFP4/L
<b>Hardware Specifications</b>	
Downlink Ports	8*10/100/1000Base-T PoE+ RJ-45
Uplink Ports	4*100/1000Base-X SFP
Console Port	1*RJ-45 console port
Init Button	Short press to restart the switch, long press >5s to initialise the system
Led Indicators	2* power supply indicators, 1* system working indicator
Cable	Cat5 or better
Dimensions (W*D*H)	176mm*136mm*46.5mm
Net Weight	0.9kg
Input Voltage	Support redundant power supply, Power 1 (Main): 48~57V DC, Power 2 (Backup): 48~57V DC
Power Consumption	≤10W (Full load, not include PoE)
Installation	DIN-rail
Material	Metal shell
<b>Switch Property</b>	
Forwarding Modes	Store and Forward
Switching Capacity	24Gbps / non-blocking
Packet Forwarding Rate	17.9Mpps
MAC Table	8k, supported auto learning
Packet Buffer	4Mbit
Jumbo Frame	9kB
<b>PoE</b>	
PoE Device	Endpoint PSE
PoE Standard	IEEE 802.3af/at
PoE Pin Assignment	1/2(+), 3/6(-)
PoE Power Output	46~55V DC
PoE Budget	30W max for each port, 240W max for whole switch
<b>Standard Conformance</b>	
Standards Compliance	IEEE 802.1p Priority Queuing IEEE 802.1Q VLAN tagging IEEE 802.1D Spanning Tree Algorithm IEEE 802.1w Rapid Spanning Tree IEEE 802.1x Authentication IEEE 802.3ad Link Aggregation IEEE 802.3x Flow Control IEEE 802.3 Ethernet IEEE 802.3u Fast Ethernet IEEE 802.3z Gigabit Ethernet IEEE 802.3af Power Over Ethernet IEEE 802.3at Power Over Ethernet
<b>EMC</b>	
EMC	FCC 47 CFR Part 15 Class A EN55032 Class A IEC61000-4-2, Level 3: Contact Discharge: ±8kV, Air Discharge: ±12kV IEC61000-4-3, Level 3: 10V/m IEC61000-4-4, Level 2: Power Port: ±4kV; Data Port: ±2kV IEC61000-4-5, Power Port: Line to Line ±2kV, Line to Earth ±4kV; Data Port: ±2kV IEC61000-4-6, 3V (10kHz-150kHz); 10V (150kHz-80MHz)
<b>LVD</b>	
LVD	EN 62368-1:2014 EN 62328-A11:2017
<b>Environments</b>	
Operating	Temperature: -40°C~75°C Relative Humidity: 5%~95% (Non-condensation)
Storage	Temperature: -40°C~85°C Relative Humidity: 5%~95% (Non-condensation)
<b>Certifications</b>	
Certifications	CE, FCC



## Software Architecture

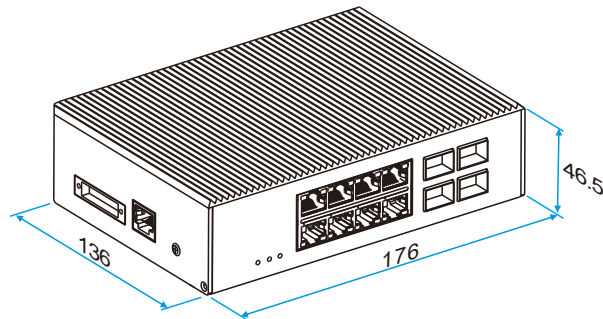
TBK-SWPOE8SFP4/L	
<b>Information and Status</b>	
System Information	• System, Hardware, Time and Firmware
IP Status	• IP Interfaces, IP Routes and ARP Table
SysLog	• System Log Information
Detailed SysLog	• ID and Message
MAC Table	• MAC Address Table: Type, VLAN, MAC Address, CPU and Port Number
VLANs	• Membership and Ports
Ports	• Traffic Overview and Detailed Statistics
LACP	• System Status, Port Status and Port Statistics
Thermal Protection	• Thermal Protection Port Status
Green Ethernet	• Port Power Savings Status
PoE Status	• Power Over Ethernet Status
LLDP	• Neighbors, PoE, Port Statistics
Loop Protection	• Loop Protection Status
Spanning Tree	• Bridge Status, Port Status and Port Statistics
IGMP Snooping	• IGMP Snooping Status, Groups Information and IPv4 SFM Information
MLD Snooping	• MLD Snooping Status, Groups Information and IPv6 SFM Information
DHCP	• Server, Snooping Table, Relay Statistics and Detailed Statistics
Security	• Port Security, Access Management Statistics, 802.1X, ACL Status and AAA
QoS	• QoS Statistics and QCL Status
<b>Network Admin</b>	
IP Config	• IP Configuration, IP Interfaces and IP Routes
IP Status	• IP Interfaces, IP Routes and ARP Table
DHCP Server	• DHCP Server Mode Configuration, Excluded IP and Pool
NTP	• NTP Configuration
Timezone	• System Timezone Offset and UTC time
SNMP	• System, Trap, Communities, Users, Groups, Views and Access
SysLog	• System Log Configuration
<b>Port Configure</b>	
Ports	• Port Configuration
Aggregation	• Static and LACP
Mirroring	• Mirror and Mirror Port Configuration
Thermal Protection	• Thermal Protection Configuration
Green Ethernet	• Port Power Savings and Port Configuration
DDM	• DDM Configuration, DDM Overview and DDM Detailed
<b>PoE</b>	
PoE Setting	• Power Over Ethernet, PoE Power Supply and PoE Port Configuration
PoE Status	• Power Over Ethernet Status
<b>Advanced Configure</b>	
MAC Table	• Aging Configuration, MAC Table Learning and Static MAC Table Configuration
PTP	• PTP Clock Configuration and PTP Status
VLANs	• Global VLAN and Port VLAN Configuration
Voice VLAN	• Voice VLAN Configuration and Voice VLAN OUI Table
GVRP	• GVRP Global and Port Configuration
<b>Advanced Configure</b>	
Port Isolation	• Port Group and Port Isolation
Loop Protection	• General Settings and Port Configuration
Spanning Tree	• Bridge Settings, MSTI Mapping, MSTI Priorities, CIST Ports and MSTI Ports
IPMC Profile	• Profile Table and Address Entry
MEP	• Maintenance Entity Point
ERPS	• Ethernet Rapid Ring Protection Switching
IGMP Snooping	• Basic Configuration, VLAN Configuration and Port Filtering Profile
IPv6 MLD Snooping	• Basic Configuration, VLAN Configuration and Port Filtering Profile
LLDP	• LLDP Parameters and LLDP Interface Configuration
<b>Security Configure</b>	
Users	• Users Configuration
Privilege Levels	• Privilege Level Configuration
SSH	• SSH Configuration
HTTPS	• HTTPS Configuration
Port Security Limit	• System and Port Configuration
Access Management	• Access Management Configuration
802.1X	• Network Access Server Configuration
ACL	• Ports, Rate Limiters and Access Control List
DHCP	• Snooping Setting, Snooping Table, Relay, Relay Statistics and Detailed Statistics
IP&MAC Source Guard	• IP Source Guard Configuration, Static Table and Dynamic Table
ARP Inspection	• Port Configuration, VLAN Configuration, Static Table and Dynamic Table
AAA	• RADIUS and TACACS+
<b>QoS Configure</b>	
Port Classification	• QoS Ingress Port Classification
Port Policing	• QoS Ingress Port Policers
Queue Policing	• QoS Ingress Queue Policers
Port Scheduler	• QoS Egress Port Schedulers
Port Shaping	• QoS Egress Port Shapers
Port Tag Remarking	• QoS Egress Port Tag Remarking
Port DSCP	• QoS Port DSCP Configuration
DSCP-Based QoS	• DSCP-Based QoS Ingress Classification
DSCP Translation	• DSCP Translation
DSCP Classification	• DSCP Classification
QoS Control List	• QoS Control List Configuration
Storm Policing	• Global Storm Policer Configuration
<b>Diagnostics</b>	
Ping	• ICMP Ping
Cable Diagnostics	• VeriPHY Cable Diagnostics
CPU Load	• CPU Load Information
<b>Maintenance</b>	
Restart Device	• Restart the Device
Factory Defaults	• Factory Defaults
Firmware Upgrade	• Software Upload
Firmware Select	• Software Image Selection
Configuration	• Download, Upload, Activate and Delete



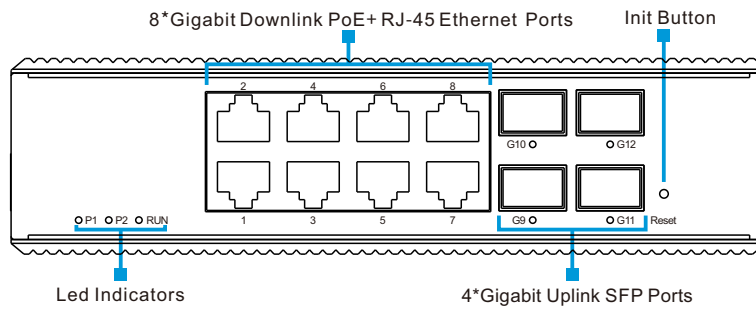
## Appearances and Dimensions

TBK-SWPOE8SFP4/L

Dimensions (mm)



### Front Panel



### Side Panel

