

DATASHEET

TBK-IR180-40

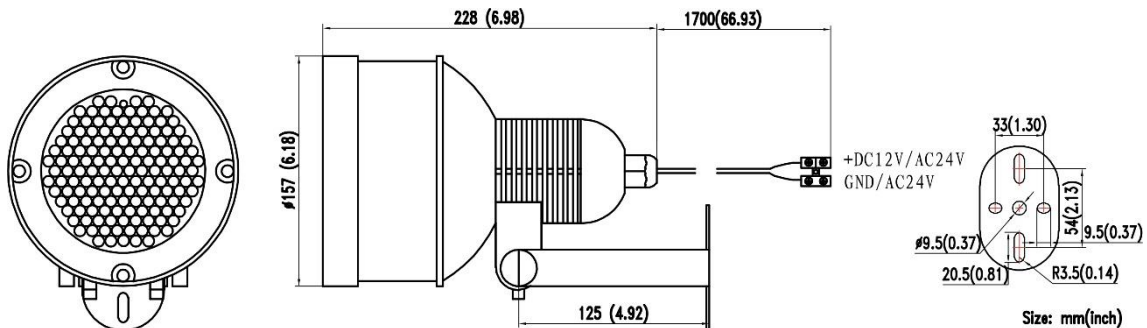


MAIN FEATURES

- IR effective distance: 180 m.
- IR effective degree: 40°
- Built-in 15 PCs Super High Power IR LED.
- Auto switch on while under 10Lux by CDS.
- Dual power: CD12V/AC24V.
- Metal cylinder case, IP66.
- Dimensions: $\varnothing 157 \times 228$ mm.

Infrared illuminator, providing 180 meters and 40 degree effective illumination range. Easy installation, as the illuminator includes the bracket and a photocell to switch on automatically when the environment illumination becomes darker than 10 lux.

DIMENSIONS





TBK -IR180-40

SPECIFICATIONS

CAMERA	
IP Rating	IP66
Type	Outdoor
Luminaire	850nm Super High Power LED
Angle	40°(Outdoor)
Emissive Power	15W
Outdoor Distance	180M (Outdoor)
Control	CDS/10Lux
Power supply	DC12V±10%/AC24V±10%
Current Consumption	DC1200mA/ AC950mA(Max)
Dimension	ø157×228mm
Weight	2330g
Storage Temperature	-30~+60°C (-22~+140°F)
Operating Temperature	-30~+40°C (-22~+104°F)