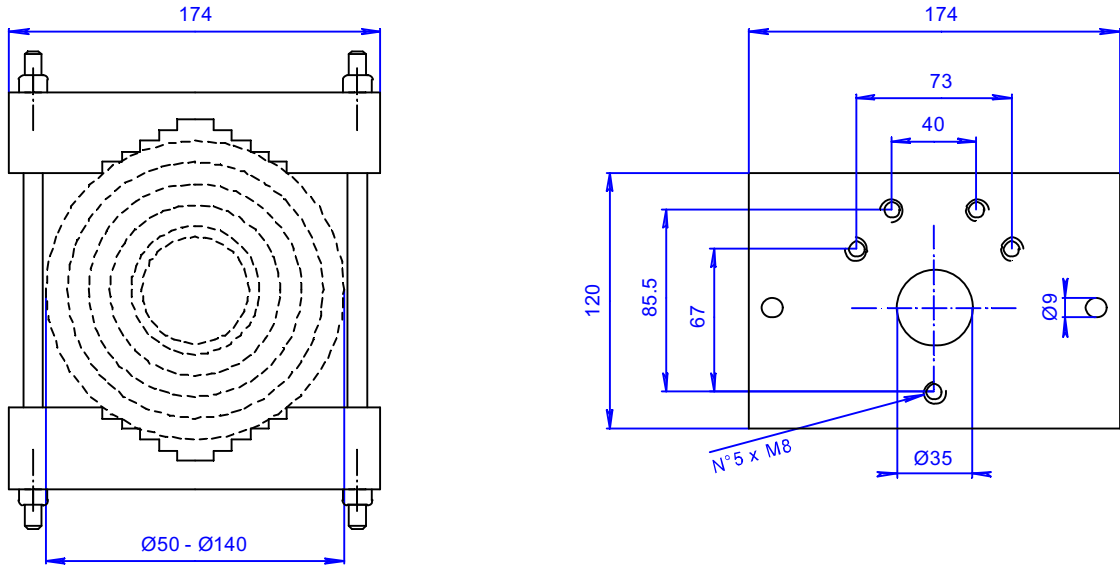
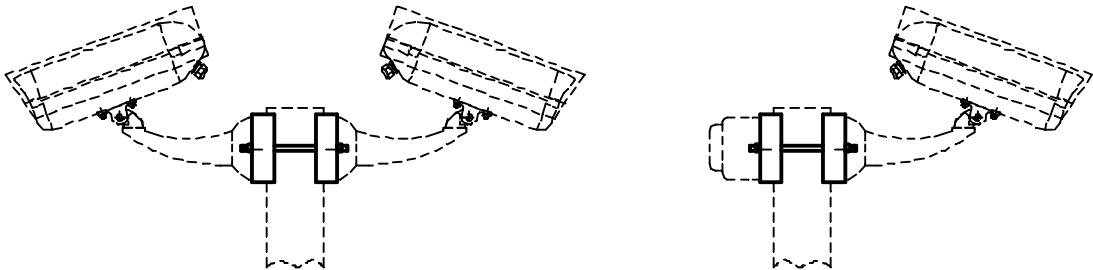


SP/A



Example



□ Pole mount (SP/A)

Made in metal, polyester powder coated RAL 7035 (light grey)

Stainless steel bolts and screws

This pole mount adapter allows two housing brackets to be installed.

Suitable for poles having a diameter between 50 mm. and 140 mm., it offers outstanding stability and is also equipped with a central hole for the passage of the cables

Indicated for brackets: ST500, ST400 and ST700

Weight: 1,7 kg.

25 kg. load rating